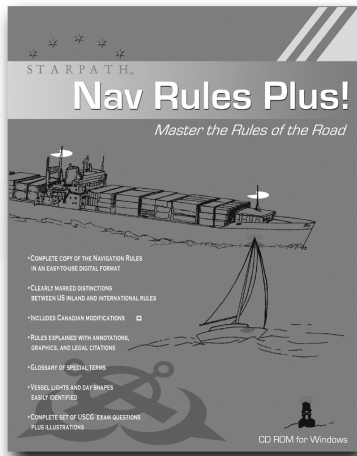


Nav Rules Plus!

Master the Rules of the Road and study the other subjects of USCG deck license exams as well.

Contents include:

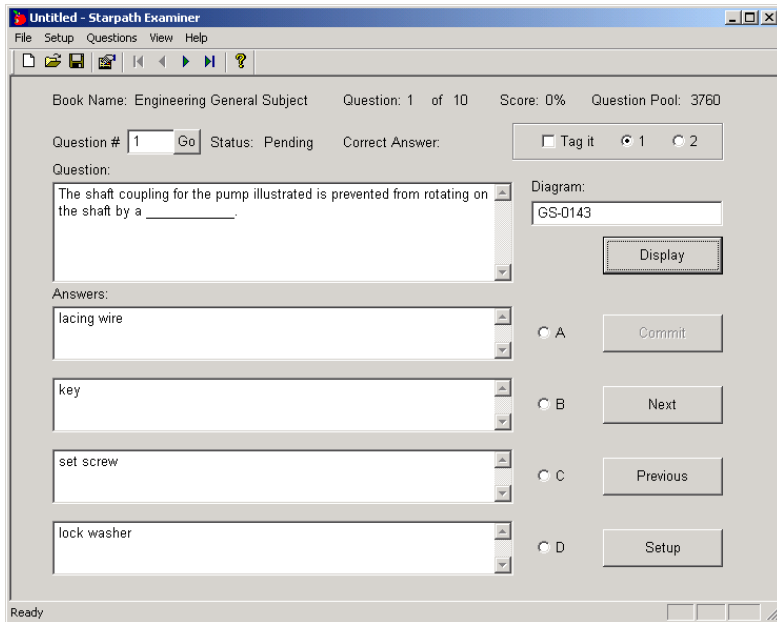
- Complete fully searchable electronic version of US Inland and International Navigation Rules.
- High resolution pdf copy of the USCG edition of the Official Nav Rules that can be printed for a personal hard copy



CD ROM for Windows, \$89

- In-depth discussion of each Rule with court case citations
- Selected Rules questions explained in depth with tips on study
- Vessel lights organized by vessel type and by light color pattern
- Searchable Canadian Rules
- Extensive discussion of all Rules relating to radar with special section on Rule 19d
- Extensive Glossary
- Plus, for further study, the complete data base of all USCG deck license exam questions, including: Deck General, Safety, Navigation, and Navigation Rules.

Both products use the **Starpath Examiner** module for displaying the questions and working practice tests

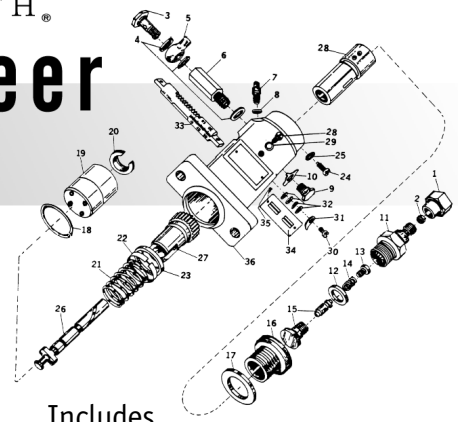


Questions Window

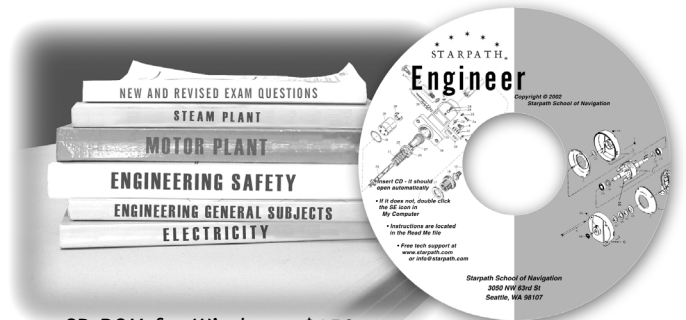
Available from:

Engineer

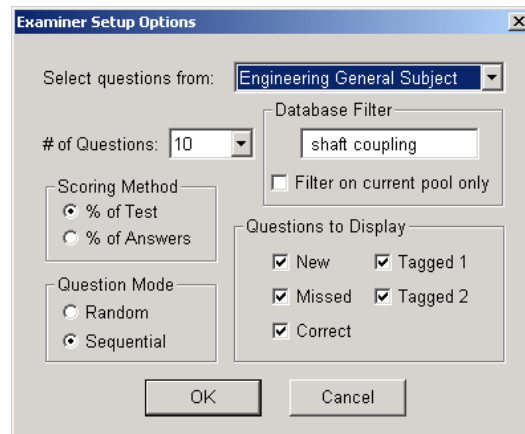
All six books of USCG Engineering Exam Questions on one convenient CD, fully searchable. Design your own practice tests using keywords.



Includes New and Revised Questions.

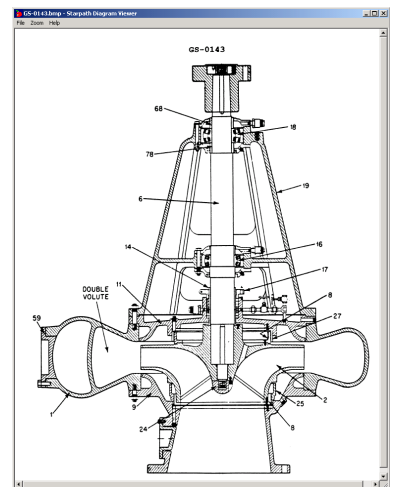


CD ROM for Windows, \$159



Set-up Window

Examiner lets you select the database (book), then filter the questions by keywords. Diagrams open in a separate window that can be resized or zoomed to see the finest details. Each practice session can be saved for later work. Define your own "tags" to organize the questions to optimize your study time.



Diagrams Window